

DATASHEET

VECTRON POS TOUCH 15 II WIDE



Illustration shows variant 1

VECTRON

System concept

The Vectron POS Touch 15 II Wide combines hardware and software in premium quality. Its extra-wide display offers space for many functions at a glance. The capacitive glass touch screen is energy-saving, wear-free and equipped with a swipe function. High-quality components make the compact POS system extremely failsafe and durable. Individual programming, ergonomic design and a touch screen ensure convenient operation. The robust POS Touch 15 II Wide is protected against dust and splash water and has a five-year manufacturer's warranty ex works.

Hardware

Technical data of the Vectron POS Touch 15 II Wide POS system

Display diagonal	396 mm (15.6")
Display type	TFT-LCD
Display lighting	LED backlight
Display size (active)	344 x 193.5mm
Display resolution	1366 x 768 Pixel
Colours	True Color
Input	Touch screen (projective-capacitive)
Processor	i.MX 6, DualLite, 1GHz
Main memory	1 GB DDR3
Mass storage	8 GB Flash memory (eMMC)
Network	10/100/1000 BASE-T; Ethernet
USB ports	8x USB 2.0; port type A; 2 of which at the bottom
Serial ports	6x RS232; port type RJ45; for external devices
Cash drawer ports	2x RJ12; for connection of up to 4 drawers via Y-cable
Audio connection	3.5 mm jack; stereo; for loudspeaker
Mounting of external devices	Mounting points for external peripherals on the left and right of the display housing
SD-card slot	for SD-cards up to 4 GB and SDHC-cards up to 32 GB
SIM-card slot	for standard Mini-SIM cards (25 x 15 mm)
Loudspeaker	Mono; 2 W
Power supply	Variant 1: Power supply Vectron PS60 Variant 2: Power supply Vectron PS61
Buffer battery	for permanent power supply of cache
Power consumption	16 W Maximum 12 W in normal mode without external appliances 0.5 W in standby mode
Temperature	Storage: -10 to 50 °C Operation: 0 to 40 °C
Dimensions (W x H x D)	Variant 1: ca. 396 x 374 x 250 mm (depending on tilt angle / with port cover, without operator lock) Variant 2: ca. 396 x 245 x 52 mm (with port cover, without operator lock)
Weight	Variant 1: ca. 9.8 kg Variant 2: ca. 3.9 kg
Certified	CE

Hardware

Technical data of the power supply POS Touch 15 II Wide

Input voltage	100 to 240 V alternating voltage
Output voltage	+ 24 V direct voltage
Output current	max. 3.75 A
Output power	max. 90 W
Power consumption	max. 93 W
No-load loss	0.3 to 0.5 W
Temperature	Storage: -40 to 85 °C Operation: 0 to 40 °C
Air humidity	operation: 5 to 95 %, non condensing
Dimensions (W x H x D)	145 x 60 x 32 mm
Weight	PS60: 450 g / PS61: 495 g
Certified	CE, UL 60950-1

Software

Technical data of the Vectron POS software

PLUs	1.000.000*
Departments	65.535*
Operator	2.000*
GC/Customer memory	65.535*
Cash registers per network	200*
Printers per network	100*
Graphic user interface	<p>Gesture recognition (swipe) for fast navigation</p> <p>Use of own images and icons also with transparency channel</p> <p>predefined high-resolution fonts</p>
myVectron	Cloud-based myVectron services; integrated customer loyalty tools (e.g. individual campaigns, automatic processing of collection points, discount campaigns, vouchers)
Special features of the Light variant	<p>All the server functions of the POS Touch 15 II Wide Light can be used exclusively with a mobile or hybrid Vectron POS system. Server is always the POS Touch 15 II Wide Light.</p> <p>The use of mobile or hybrid Vectron POS systems in this type of network is limited to a maximum of 10 mobile POS systems, i.e. together with the POS Touch 15 II Wide Light you can enter max. 11 POS systems in network.</p> <p>Apart from receiving programming updates, the POS Touch 15 II Wide Light connects only to a mobile or hybrid Vectron POS system.</p> <p>Peripheral use is possible within the existing scope.</p> <p>An upgrade to a normal POS Touch 15 II Wide software license is possible by purchasing the corresponding upgrade license.</p>
*	Theoretical maximum values, which can only be obtained with special programming and optimum hardware equipment. The available functions also depend on the software version used and the programming of the POS system. Contact your Vectron specialist retailer for assessment/realization of your actual demands.

Scope of delivery

Vectron POS Touch 15 II Wide Stand S400 (10300001 - variant 1)

Standard shipment

- Vectron POS Touch 15 II Wide POS system incl. stand S400
- Housing Touch 15 port cover
- Power supply Vectron PS60
- Operator lock Vectron L10 with four operator keys; variable mounting possible on all four sides
- Two port covers each for SD card and SIM card slot
- Mains cable
- Vectron POS software with licence
- Security and installation instructions
- Dispatch box

Optional accessories

- Operator lock Vectron L21, Vectron L30
- Customer display Vectron C56, Vectron C75, Vectron C100

Scope of delivery

Vectron POS Touch 15 II Wide (10300001 - variant 2)

Standard shipment

- Vectron POS Touch 15 II Wide POS system
- Housing Touch 15 port cover
- Power supply Vectron PS61
- Operator lock Vectron L10 with four operator keys; variable mounting possible on all four sides
- Two port covers each for SD card and SIM card slot
- Mains cable
- Vectron POS software with licence
- Security and installation instructions
- Dispatch box

Optional accessories

- Operator lock Vectron L21, Vectron L30
- Customer display Vectron C56, Vectron C75, Vectron C100

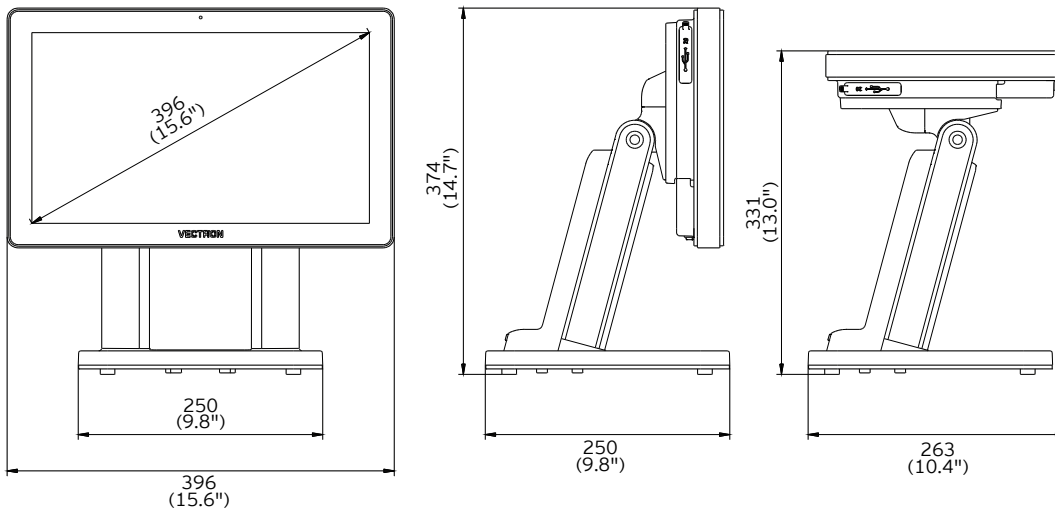
DATASHEET

VECTRON POS TOUCH 15 II WIDE

Dimensions

in mm and inch

Vectron POS Touch 15 II Wide Stand S400 (10300001 - variant 1)



Dimensions

in mm and inch

Vectron POS Touch 15 II Wide (10300001 - variant 2)

