

## DATASHEET

# VECTRON POS TOUCH 15 II



Illustration shows variant 1

# VECTRON

## System concept

The successor of the Vectron POS Touch 15 is even more powerful thanks to its new electronics. High-quality materials and meticulous workmanship make the POS system also suitable for use in extremely demanding environments like in bakery shops and on restaurant counters. Even in case of power failure the POS system shuts down safely and without data loss.

The Vectron POS Touch 15 II is absolutely reliable and durable; it has a scratch-proof and wear-free capacitive glass touch screen and boasts a brilliant display quality.

# Hardware

## Technical data of the Vectron POS Touch 15 II POS system

<b>Display diagonal</b>	381 mm (15")
<b>Display type</b>	TFT-LCD
<b>Display lighting</b>	LED backlight
<b>Display size (active)</b>	304 x 228 mm
<b>Display resolution</b>	1024 x 768 Pixel
<b>Colours</b>	True Color
<b>Input</b>	Touch screen (projective-capacitive)
<b>Processor</b>	i.MX 6, DualLite, 1GHz
<b>Main memory</b>	1 GB DDR3
<b>Mass storage</b>	8 GB Flash memory (eMMC)
<b>Network</b>	10/100/1000 BASE-T; Ethernet
<b>USB ports</b>	8x USB 2.0; port type A; 2 of which at the bottom
<b>Serial ports</b>	6x RS232; port type RJ45; for external devices
<b>Cash drawer ports</b>	2x RJ12; for connection of up to 4 drawers via Y-cable
<b>Audio connection</b>	3.5 mm jack; stereo; for loudspeaker
<b>Mounting of external devices</b>	Mounting points for external peripherals on the left and right of the display housing
<b>SD-card slot</b>	for SD-cards up to 4 GB and SDHC-cards up to 32 GB
<b>SIM-card slot</b>	for standard Mini-SIM cards (25 x 15 mm)
<b>Loudspeaker</b>	Mono; 2 W
<b>Power supply</b>	Variant 1 (Stand S420): Power supply Vectron PS60 Variant 4 (mere monitor unit): Power supply Vectron PS61
<b>Buffer battery</b>	for permanent power supply of cache
<b>Power consumption</b>	18 W Maximum 14.5 W in normal mode without external appliances 0.5 W in standby mode
<b>Temperature</b>	Storage: -10 to 50 °C operation: 0 to 40 °C
<b>Dimensions (W x H x D)</b>	Variant 1 (Stand S420): approx. 365 x 440 x 270 mm (depending on tilt angle) Variant 4 (mere monitor unit): approx. 365 x 322 x 75 mm (with port cover, without operator lock) Variant 4 (Stand S500): approx. 365 x 226 x 343 mm (depending on tilt angle) Variant 4 (Vesa Mount Adapter T15): 365 x 322 x 105 mm

## DATASHEET

# VECTRON POS TOUCH 15 II

<b>Weight</b>	Variant 1 (Stand S420): approx. 12.5 kg
	Variant 4 (mere monitor unit): approx. 6.1 kg
	Variant 4 (Stand S500): approx. 8.4 kg
	Variant 4 (Vesa Mount Adapter T15): approx. 6.8 kg
<b>Certified</b>	CE

## Hardware

### Technical data of the power supply POS Touch 15 II

<b>Input voltage</b>	100 to 240 V alternating voltage
<b>Output voltage</b>	+ 24 V direct voltage
<b>Output current</b>	max. 3.75 A
<b>Output power</b>	max. 90 W
<b>Power consumption</b>	max. 93 W
<b>No-load loss</b>	0.3 to 0.5 W
<b>Temperature</b>	Storage: -40 to 85 °C
	operation: 0 to 40 °C
<b>Humidity</b>	operation: 5 to 95 %, non condensing
<b>Dimensions (W x H x D)</b>	145 x 60 x 32 mm
<b>Weight</b>	PS60: 450 g / PS61: 495 g
<b>Certified</b>	CE, UL 60950-1

# Software

## Technical data of the Vectron POS software

<b>PLUs</b>	1.000.000*
<b>Departments</b>	65,535*
<b>Operators</b>	2,000*
<b>GC/Customer memory</b>	65,535*
<b>Cash registers per network</b>	200*
<b>Printers per network</b>	100*
<b>Graphic user interface</b>	<p>Gesture recognition (swipe) for fast navigation</p> <p>Use of own images and icons also with transparency channel</p> <p>pre-defined high-resolution fonts</p>
<b>myVectron</b>	Cloud-based myVectron services; integrated customer loyalty tools (e.g. individual campaigns, automatic processing of collection points, discount campaigns, vouchers)
<b>Special features of the Light variant</b>	<p>All the server functions of the POS Touch 15 II Light can be used exclusively with a mobile or hybrid Vectron POS system. Server is always the POS Touch 15 II Light.</p> <p>The use of mobile or hybrid Vectron POS systems in this type of network is limited to a maximum of 10 mobile POS systems, i.e. together with the POS Touch 15 II Light you can enter max. 11 POS systems in network.</p> <p>Except from receiving programming updates, the POS Touch 15 II Light connects only to a mobile or hybrid Vectron POS system.</p> <p>Peripheral use is possible within the existing scope.</p> <p>An upgrade to a normal POS Touch 15 II software licence is possible by purchasing the corresponding upgrade license.</p>
<b>*</b>	Theoretical maximum values, which can only be obtained with special programming and optimum hardware equipment. The available functions also depend on the software version used and the programming of the POS system. Contact your Vectron specialist retailer for assessment/realization of your actual demands.

# Scope of delivery

## Vectron POS Touch 15 II Stand S420 (10220102 - Variant 1)

### Standard shipment

Vectron POS Touch 15 II POS system incl. stand S420

Housing Touch 15 port cover

Power supply Vectron PS60

Operator lock Vectron L10 with four operator keys

Two port covers each for SD card and SIM card slot

Mains cable

Vectron POS software with licence

Security and installation instructions

Dispatch box

### Optional accessories

Operator lock Vectron L21, Vectron L30

Customer display Vectron C56, Vectron C75, Vectron C100

# Scope of delivery

## Vectron POS Touch 15 II (10220102 - Variante 4)

### Standard shipment

Vectron POS Touch 15 II POS system

Housing Touch 15 port cover

Power supply Vectron PS61

Operator lock Vectron L10 with four operator keys

Two port covers each for SD card and SIM card slot

Mains cable

Vectron POS software with licence

Security and installation instructions

Dispatch box

### Optional supports

Stand S500

Vesa Mount Adapter T15 (incl. optional Vesa wall mount)

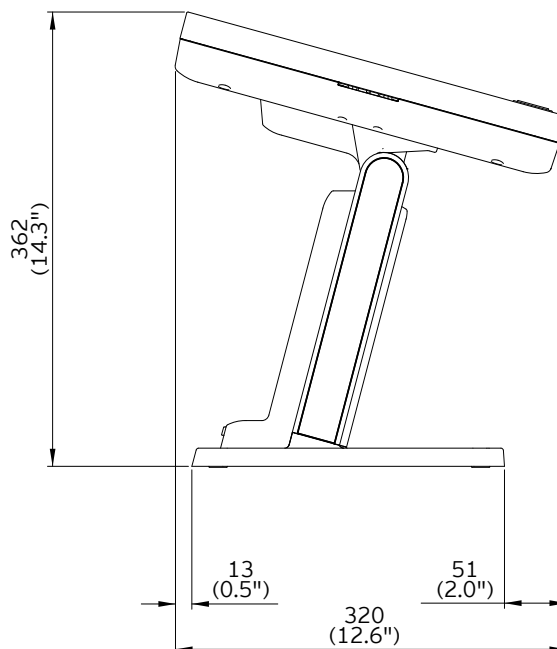
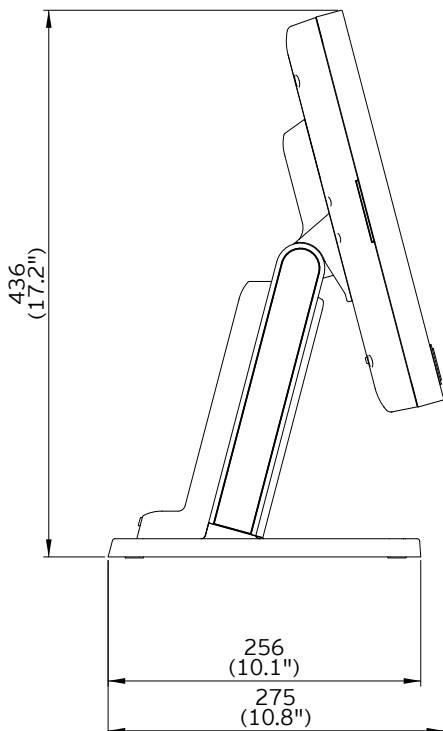
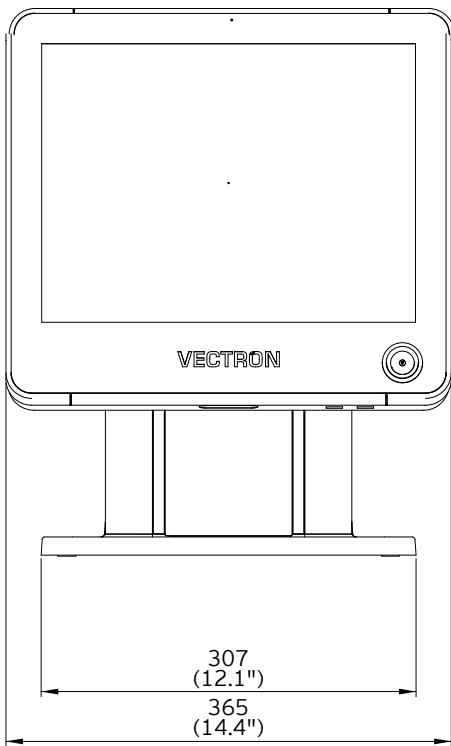
### Optional accessories

Operator lock Vectron L21, Vectron L30

Customer display Vectron C56, Vectron C75, Vectron C100

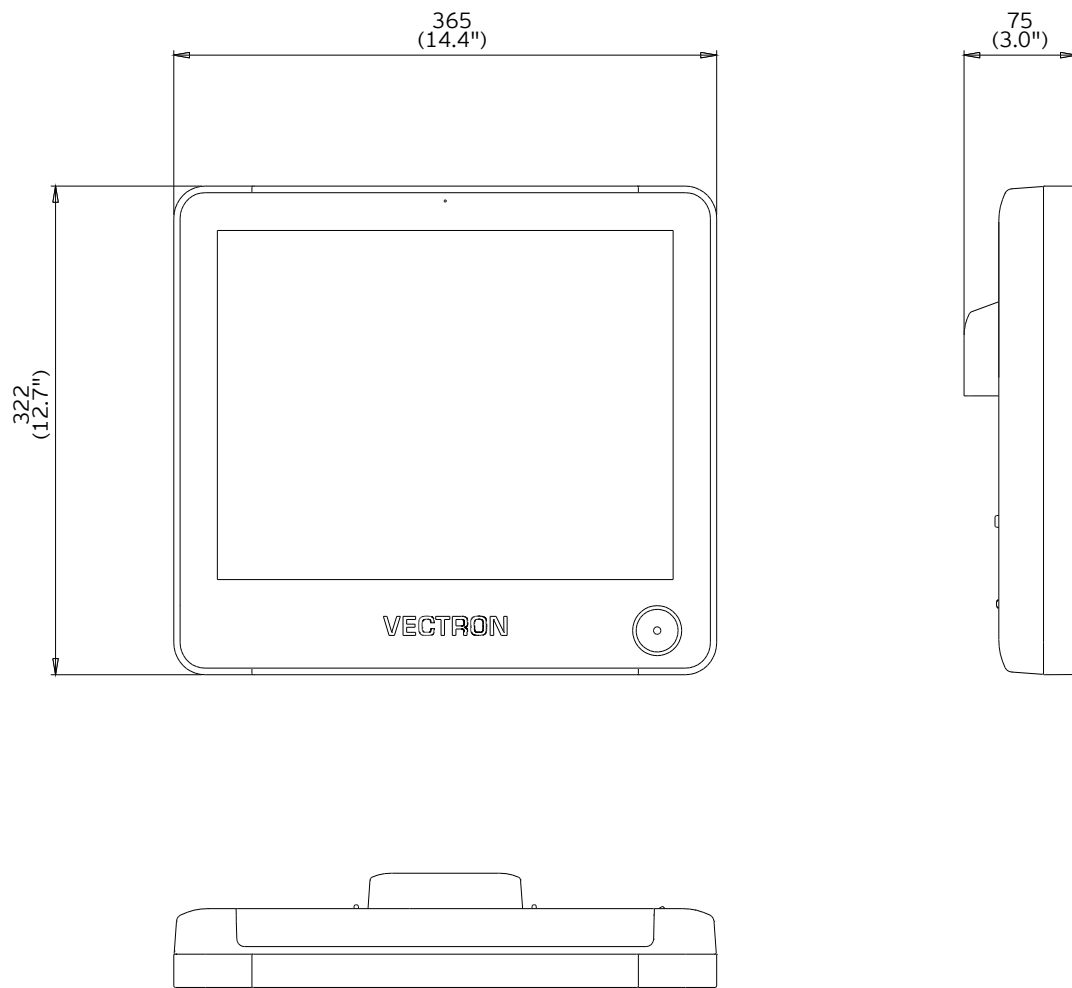
# Dimensions in mm

Vectron POS Touch 15 II Stand S420 (10220102 - Variant 1)



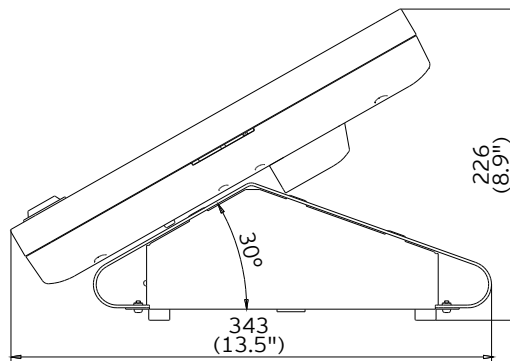
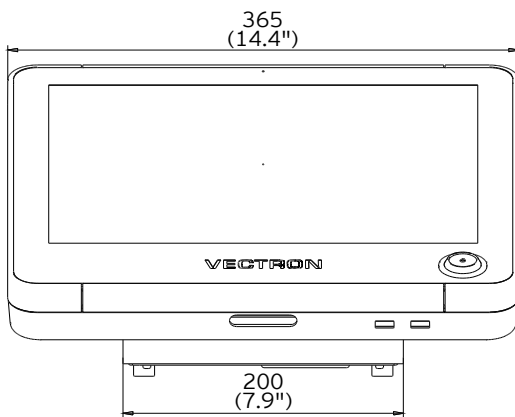
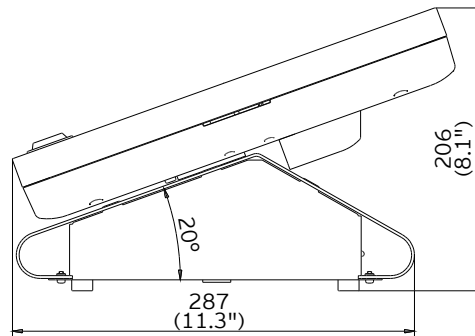
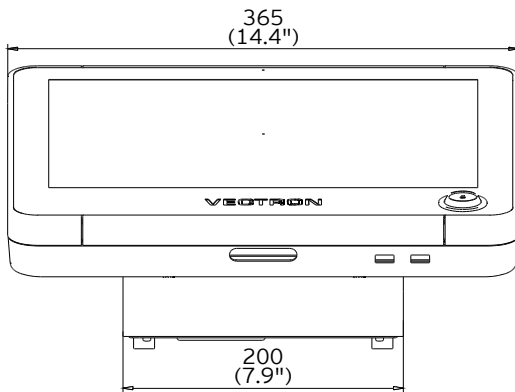
# Dimensions in mm

**Vectron POS Touch 15 II (10220102 - Variant 4)**



# Dimensions in mm

Vectron POS Touch 15 II (10220102 - Variant 4)  
Option stand S500





# Dimensions in mm

Vectron POS Touch 15 II (10220102 - Variant 4)  
Option Vesa Mount Adapter T15

